

# MAGNETFOOT

## SPECIFICATION:

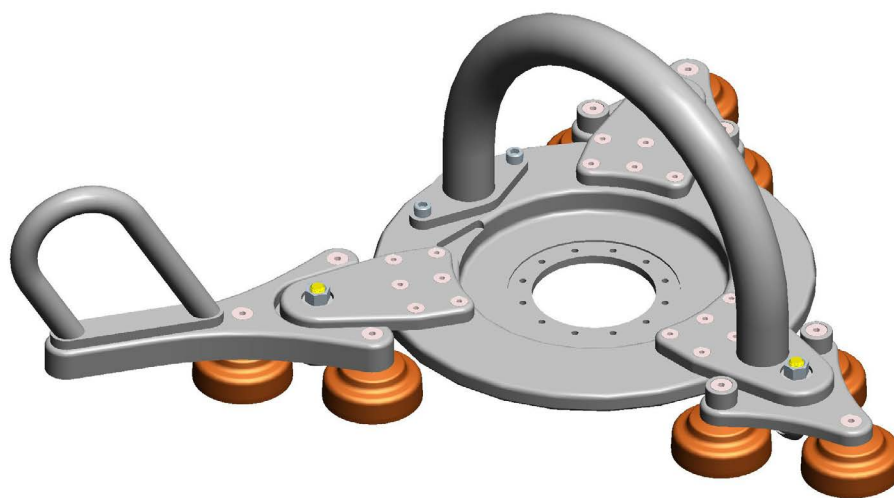
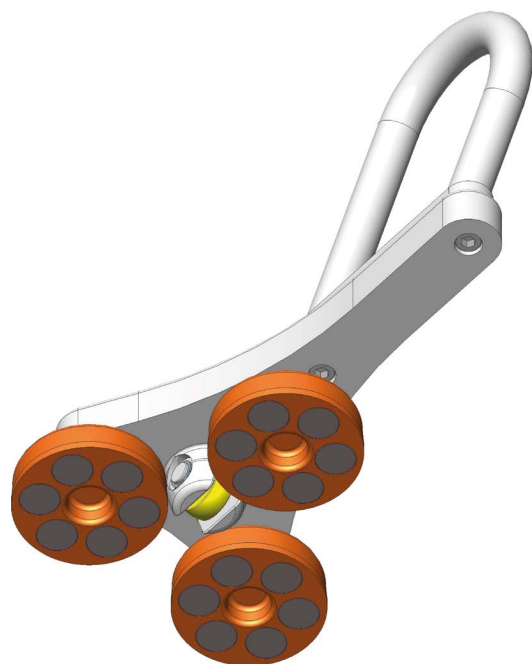
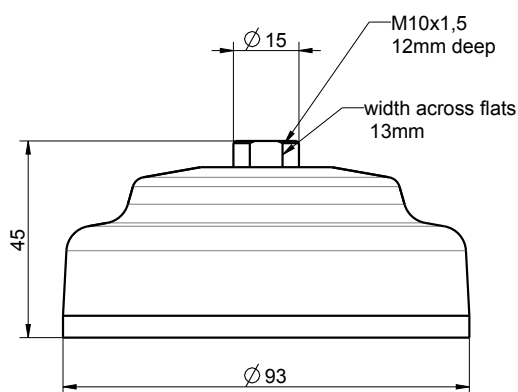
- **Weight:** 623 gr
- **Material:** Polyurethane / AISI 316L

## TEST RESULTS ON CORRODED SURFACE:

- **Normal pull:** 102 kg, wet & dry surface
- **Paralell pull:** 72 kg dry, 45 kg wet surface

## TEST RESULTS ON PLANE SURFACE:

- **Normal pull:** 121 kg, wet & dry surface
- **Paralell pull:** 54 kg, dry surface



## KYSTDESIGN AS

Eikeskogvegen 80 - 5570 Akسدal, Norway  
post@kystdesign.no - Phone: +47 52 70 62 50

[www.kystdesign.no](http://www.kystdesign.no)



**KYSTDESIGN**  
SUB - SEA TECHNOLOGY