

KPA-45 PAN UNIT

For use down to 6000m water depth



KPA-45

Single axis - External compensator

KEY FEATURES

- Single axis unit
- Rugged construction and mounting holes
- High torque – heavy payloads can be added
- RS-232, RS-485 or 100 Mbps Ethernet
- Absolute position sensor
- ± 0.1 deg accuracy; ± 0.01 deg on request
- 24 to 48 VDC input voltage range
- No rotating connector at unit
- External compensator interface
- 6,000 Meter (20,000 ft)

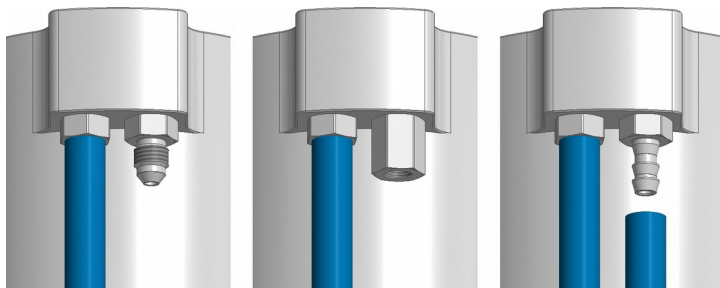
Our unit is designed for continuous hard use on Work Class ROVs.

Equipped with absolute position sensors there is no need to find end-stops at start-up.

Withstands heavy payloads without compromising with absolute accuracy.

To be connected to an external compensator.

Available compensator interfaces:



Flared JIC 37°
Fitting

1/8" BSPP Tread

PB4 hose



KYSTDESIGN
S U B - S E A T E C H N O L O G Y

KPA-45 SPECIFICATIONS

Electrical:

Input Voltage	24-48 VDC
Drive Current	Up to 2.5 A
Communication	RS-232, RS-485 (2 wire) or 100 Mbps Ethernet
Connector	Customer selectable (Seacon 5 pin standard)

Mechanical:

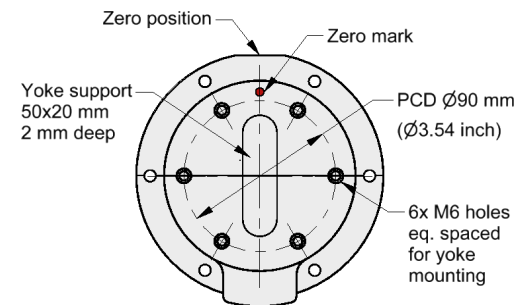
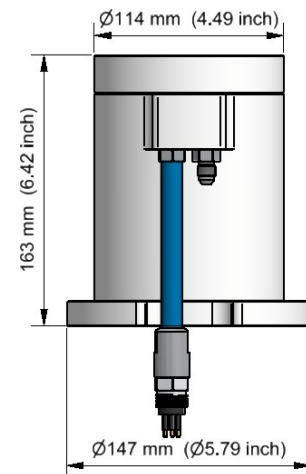
Angular Limits	Pan range: $\pm 175^\circ$
Angular Speed	Up to 25 deg/sec
Torque @24VDC, performance at 48VDC even better	45 Nm (33 lb/ft) up to 20 deg/sec or 60 Nm (44 lb/ft) < 15 deg/sec or 75 Nm (55 lb/ft) < 8 deg/sec
Max Payload **	100 kg (220 lbs)
Position Feedback	12 bit accuracy absolute, approx. $\pm 0.1^\circ$ 15 bit $\pm 0.01^\circ$ on request
Gears	Precision strain wave
Backlash	< 3 arc minutes (< 0.05°)
Compensator	External

Environmental:

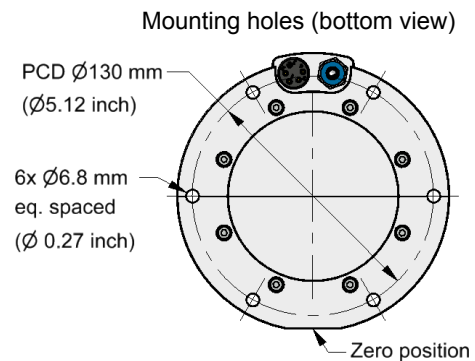
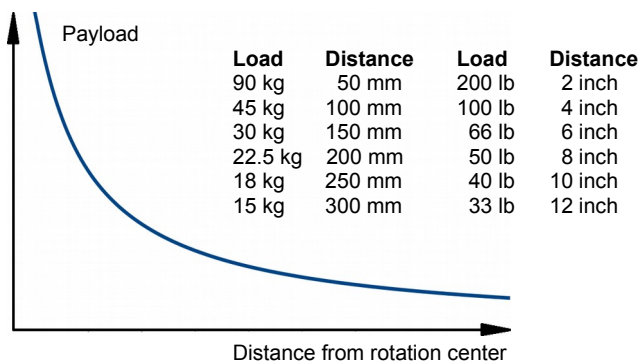
Operating Depth	Down to 6,000 m (20,000 ft)
Temperature Range	-20°C to +50°C (-4°F to +122°F) operating -30°C to +60°C (-22°F to +140°F) storage

Others:

Size (H/W/D)	163 x 114 mm (Flange $\varnothing 147$ mm) 6.42 x 4.49 inch (Flange $\varnothing 5.79$ inch)
Materials	Hard anodized Aluminum Titanium on request
Weight in Air	4.5 kg (9.9 lbs) (Aluminum unit)
Weight in Water	2.7 kg (6.0 lbs) (Aluminum unit)



**) Payload Torque diagram (in air)



KYSTDESIGN AS

Eikeskogvegen 80 - 5570 Akdsdal, Norway
post@kystdesign.no - Phone: +47 52 70 62 50

www.kystdesign.no