

KPT-45-I PAN & TILT UNIT

For high payload applications down to 1000m water depth



KPT-45-I

Dual axis - Internal compensator

KEY FEATURES

- Rugged construction
- High torque and payload
- Absolute position sensor
- ± 0.1 deg accuracy
- 10.5 to 48 VDC power in
- No rotating connector at unit
- Internal compensator
- 1,000 Meter (3,000 ft)

The KPT-45-I with its rugged design and internal compensator is designed for continuous hard work.

Equipped with absolute position sensors there is no need to find end-stops at start-up.

Withstands heavy payloads without compromising with absolute accuracy.

Easy to check functionality of compensator and refilling.



KYSTDESIGN
S U B - S E A T E C H N O L O G Y

KPT-45-I SPECIFICATIONS

Electrical:

Input Voltage	10.5-48 VDC
Drive Current	Up to 2.5 A each axis
Communication	RS-232 or RS-485
Connector	Seacon MCIL5M In-Line or customer selectable

Mechanical:

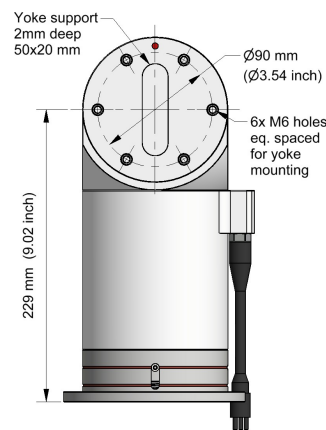
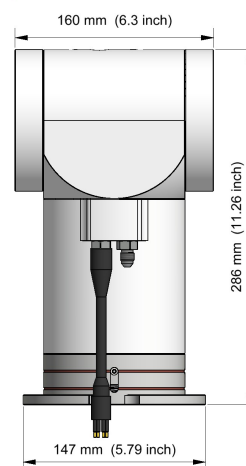
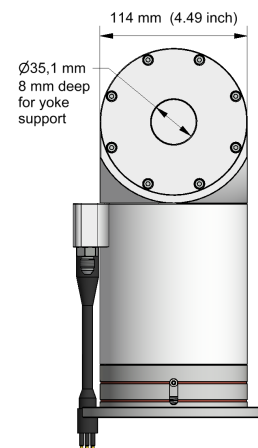
Angular Limits	Pan range: $\pm 175^\circ$ Tilt range: $\pm 175^\circ$ (depending on yoke)
Angular Speed	Up to 25 deg/sec (Pan and Tilt simultaneously)
Torque in Air (@ 24-48 VDC)	45 Nm (33 lb/ft) up to 20 deg/sec or 60 Nm (44 lb/ft) < 15 deg/sec or 75 Nm (55 lb/ft) < 8 deg/sec
Max Payload in Air **	100 kg (220 lbs)
Position Feedback	12 bit accuracy absolute, approx. $\pm 0.1^\circ$
Gears	Precision strain wave
Backlash	< 3 arc minutes (< 0.05°)
Compensator	Internal oil filled diaphragm

Environmental:

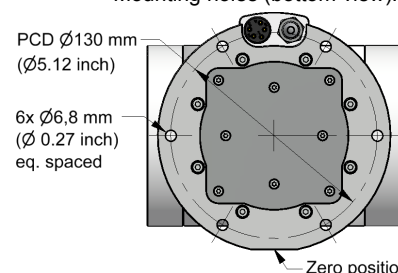
Operating Depth	Down to 1,000 m (3,000 ft) (We recommend external compensator for depths more than 1000 m)
Temperature Range	-20°C to +50°C (-4°F to +122°F) operating -30°C to +60°C (-22°F to +140°F) storage

Others:

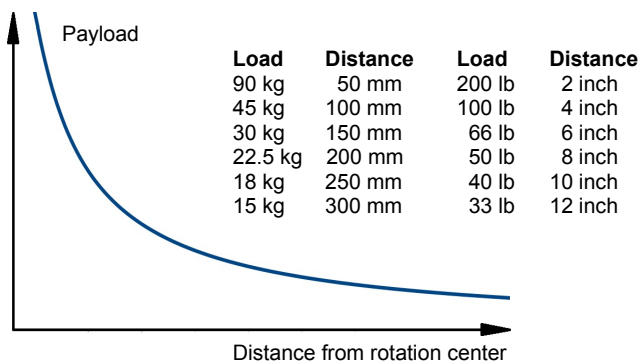
Size (H/W/D)	286 x 160 x 114 mm (Flange $\varnothing 147$ mm) 11.26 x 6.3 x 4.49 inch (Flange $\varnothing 5.79$ inch)
Materials	Hard anodized Aluminum Titanium on request
Weight in Air	8.9 kg (19.6 lbs) (Aluminum unit)
Weight in Water	5.5 kg (12.1 lbs) (Aluminum unit)



Mounting holes (bottom view):



**) Payload Torque diagram



KYSTDESIGN AS

Eikeskogvegen 80 - 5570 Akdsdal, Norway
post@kystdesign.no - Phone: +47 52 70 62 50

www.kystdesign.no