

KPA-45 PAN UNIT

For use down to 6000m water depth



KPA-45

Single axis - External compensator

KEY FEATURES

- Rugged construction
- High torque and payload
- Absolute position sensor
- ± 0.1 deg accuracy
- 10.5 to 48 VDC power in
- No rotating connector at unit
- External compensator
- 6,000 Meter (20,000 ft)

Our unit is designed for continuous hard use on Work Class ROVs.

Equipped with absolute position sensors there is no need to find end-stops at start-up.

Withstands heavy payloads without compromising with absolute accuracy.

To be connected to an external compensator.

Available compensator interfaces:



Flared JIC 37°
Fitting

1/8" BSPP Tread

PB4 hose



KYSTDESIGN
S U B - S E A T E C H N O L O G Y

KPA-45 SPECIFICATIONS

Electrical:

Input Voltage	10.5-48 VDC
Drive Current	Up to 2.5 A
Communication	RS-232 or RS-485
Connector	Seacon MCIL5M In-Line or customer selectable

Mechanical:

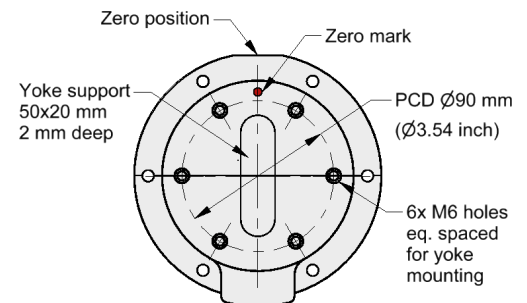
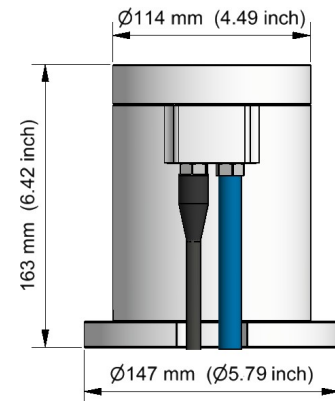
Angular Limits	Pan range: $\pm 175^\circ$
Angular Speed	Up to 25 deg/sec
Torque in Air (@24-48 VDC)	45 Nm (33 lb/ft) up to 20 deg/sec or 60 Nm (44 lb/ft) < 15 deg/sec or 75 Nm (55 lb/ft) < 8 deg/sec
Max Payload in Air **	100 kg (220 lbs)
Position Feedback	12 bit accuracy absolute, approx. $\pm 0.1^\circ$
Gears	Precision strain wave
Backlash	< 3 arc minutes (< 0.05°)
Compensator	External

Environmental:

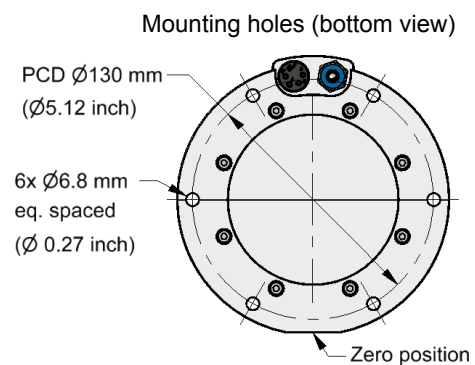
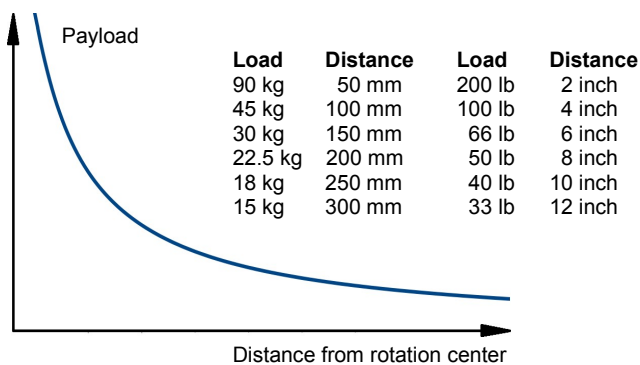
Operating Depth	Down to 6,000 m (20,000 ft)
Temperature Range	-20°C to +50°C (-4°F to +122°F) operating -30°C to +60°C (-22°F to +140°F) storage

Others:

Size (H/W/D)	163 x 114 mm (Flange $\varnothing 147$ mm) 6.42 x 4.49 inch (Flange $\varnothing 5.79$ inch)
Materials	Hard anodized Aluminum Titanium on request
Weight in Air	4.5 kg (9.9 lbs) (Aluminum unit)
Weight in Water	2.7 kg (6.0 lbs) (Aluminum unit)



**) Payload Torque diagram



KYSTDESIGN AS

Eikeskogvegen 80 - 5570 Akdsdal, Norway
post@kystdesign.no - Phone: +47 52 70 62 50

www.kystdesign.no