

Encoder

Encoder for speed & direction sensing

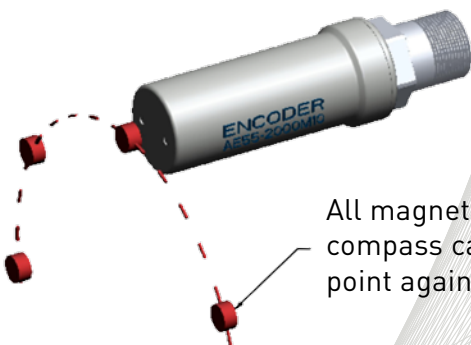
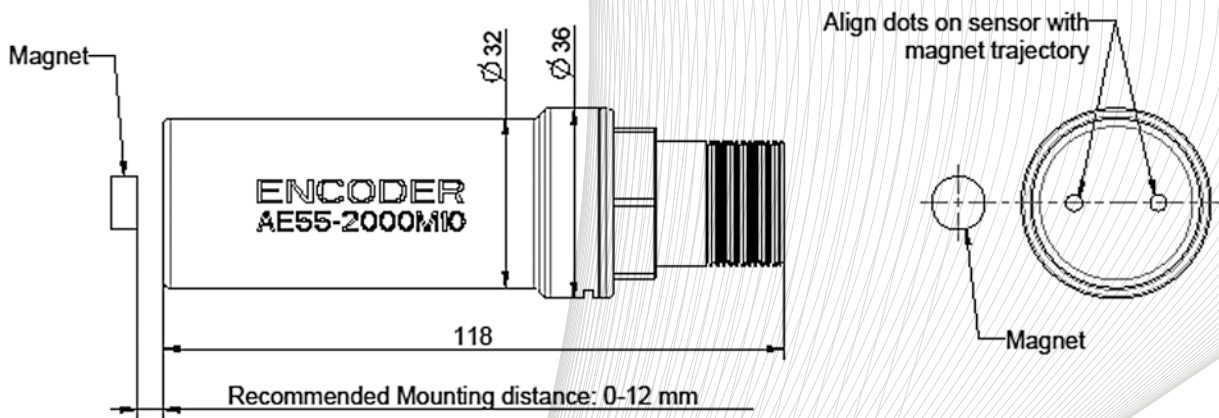
CONNECTOR:

Seacon 55 series, Shellsize 15, 4 Pin

PIN-OUT:

- PIN1: 0V
- PIN2: 24VDC
- PIN3: Signal 4-20 mA
- PIN4: Signal 4-20 mA

WEIGHT: 0.4 kg



All magnets to be oriented with south pole facing against sensor. A standard compass can be used to decide polarity of a magnet. Compass north will always point against the magnets south pole.