

# MAGNETFOOT



NORMAL PULL

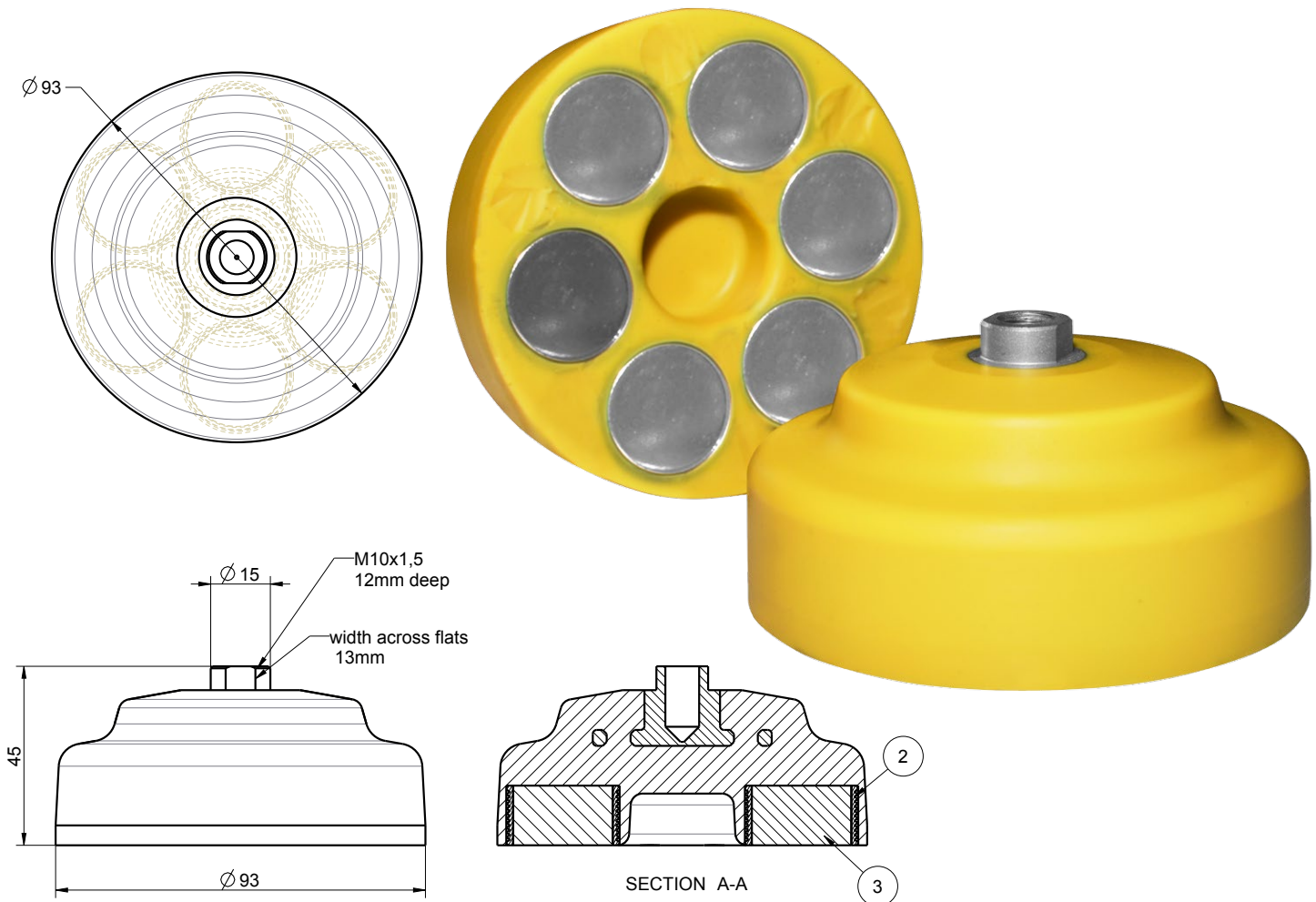
PARALELL PULL DRY

## SPECIFICATION:

- Weight: 623gr
- Material: Polyurethane / AISI 316L

## TEST RESULTS:

- Normal pull: 102kg, wet & dry surface
- Paralell pull: 72kg dry, 45kg wet surface



## KYSTDESIGN AS

Strandgaten 202 - 5525 Haugesund, Norway  
 post@kystdesign.no - Phone: +47 52.70 62 50

www.kystdesign.no