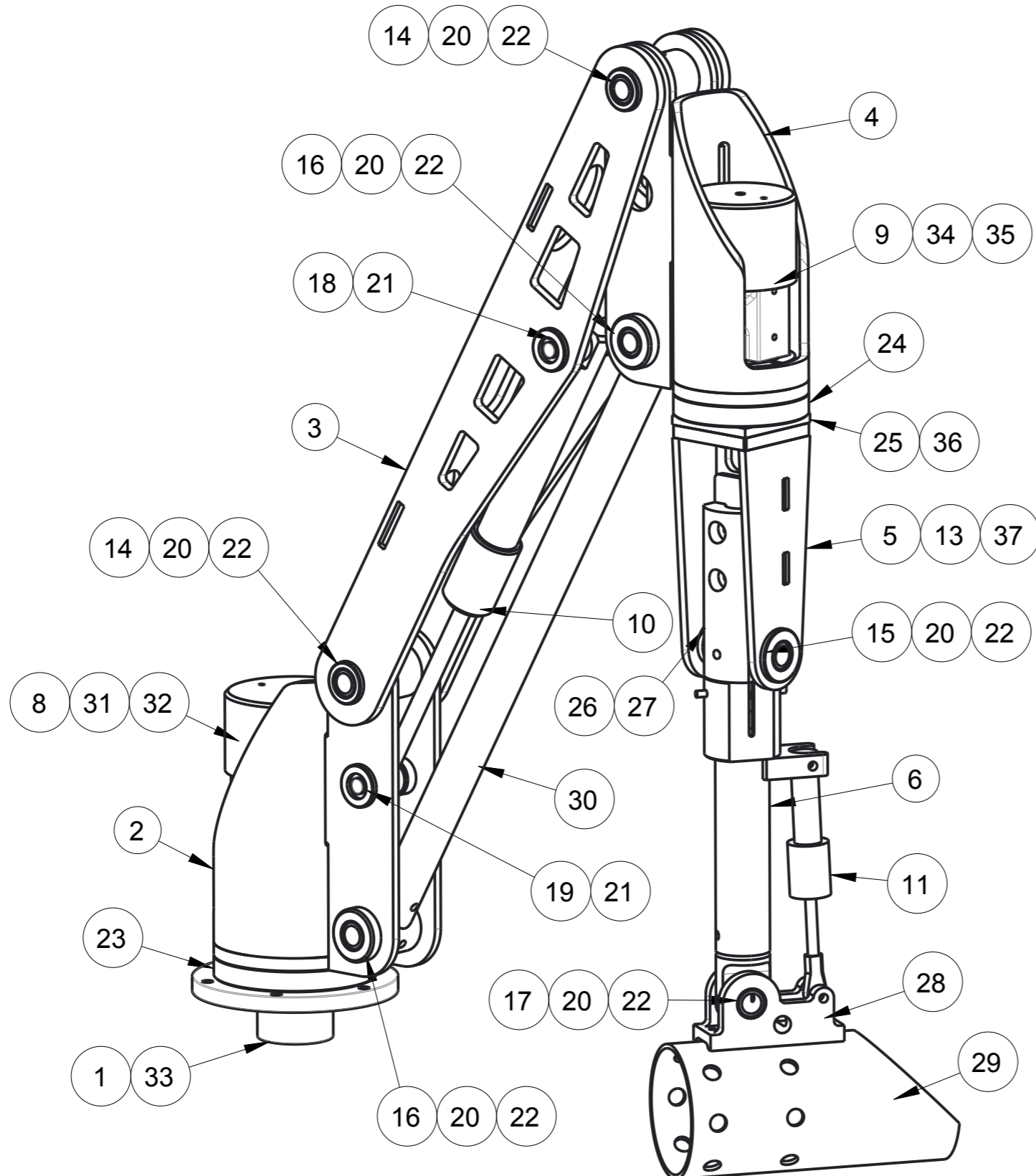


WEIGHT IN AIR: 46,2 KG



37	1	Magnet Fastening Plate	AA93-DR503
36	1	Motor Washer	AA93-DR405
35	1	Motor Cap	AA93-DR404
34	2	Motor Fastening Plate	AA93-DR403
33	1	Motor Washer	AA93-DR205
32	1	Motor Cap	AA93-DR204
31	2	Motor Fastening Plate	AA93-DR203
30	1	Bar	AA93-DR301
29	1	Camera Protection	AA93-DR702
28	1	Hinge	AA93-DR701
27	1	Pivot	AA93-DR603
26	1	Steel Plate	AA93-DR602
25	1	Bearing (section 5)	AA93-DR502
24	1	Bearing (section 4)	AA93-DR402
23	1	Bearing (section 2)	AA93-DR202
22	12	Bearing	XFM-2528-21
21	4	Circlip	SS D1400 0150
20	6	Bissel Pin	SS 8x50 DIN1481
19	1	CB-Shaft-b-15-70	AA93-DR002
18	1	CB-Shaft-b-15-104	AA93-DR002
17	1	CB-Shaft-a-25-50	AA93-DR002
16	2	CB-Shaft-a-25-90	AA93-DR002
15	1	CB-Shaft-a-25-100	AA93-DR002
14	2	CB-Shaft-a-25-110	AA93-DR002
13	2	Magnet	MPM-003
11	1	Hydraulic Cylinder	APH 16/10-50
10	1	Hydraulic Cylinder	SSH 32/16-175
9	1	Rotary Actuator	SM4.40-180°
8	1	Rotary Actuator	SM4.63-90°
6	1	Section 6	AA93-DR600
5	1	Section 5	AA93-DR500
4	1	Section 4	AA93-DR400
3	1	Section 3	AA93-DR300
2	1	Section 2	AA93-DR200
1	1	Section 1	AA93-DR100
Pos	Qty	Descr	Drawing/Prt no.

04	02.12.14	ISSUED FOR PRODUCTION	AHO	EKB	EKB
Rev.	Date	Description	Prep	Chk	App



Drawing title		
CAMERA BOOM Main Assembly		
Size		A3
Scale		0.200
File name		AA93-DR001
Sheet		1
of		2
KYSTDESIGN AS Strandgaten 202, 5525 Haugesund, NORWAY Tel: +47 52 70 62 50 Fax: +47 52 70 62 01 www.kystdesign.no		

Hydraulic Port Sizes  
 Hyd Cyl (Pos 11 1/8 NPT)  
 Hyd Cyl (Pos 10 1/4 BSP)  
 Rot Act (Pos 9 1/4 BSP)  
 Rot Act (Pos 8 3/8 BSP)

in the information contained therein. Reproduction, use or disclosure to third parties without consent is strictly forbidden.  
 KYSTDESIGN AS