

1

2

3

4

5

6

A

B

C

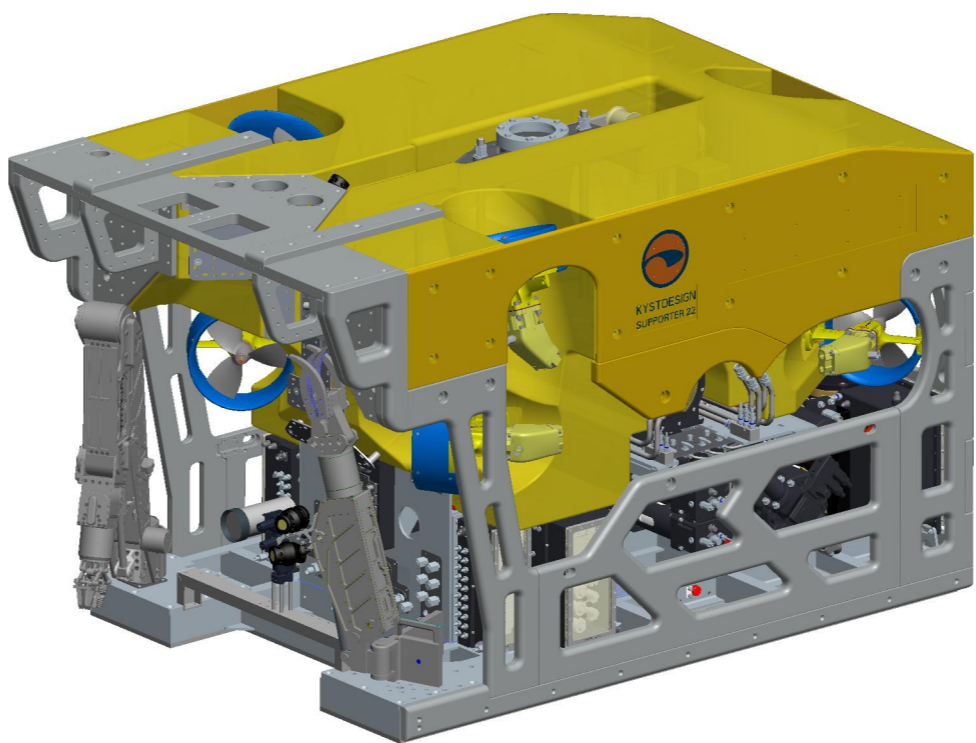
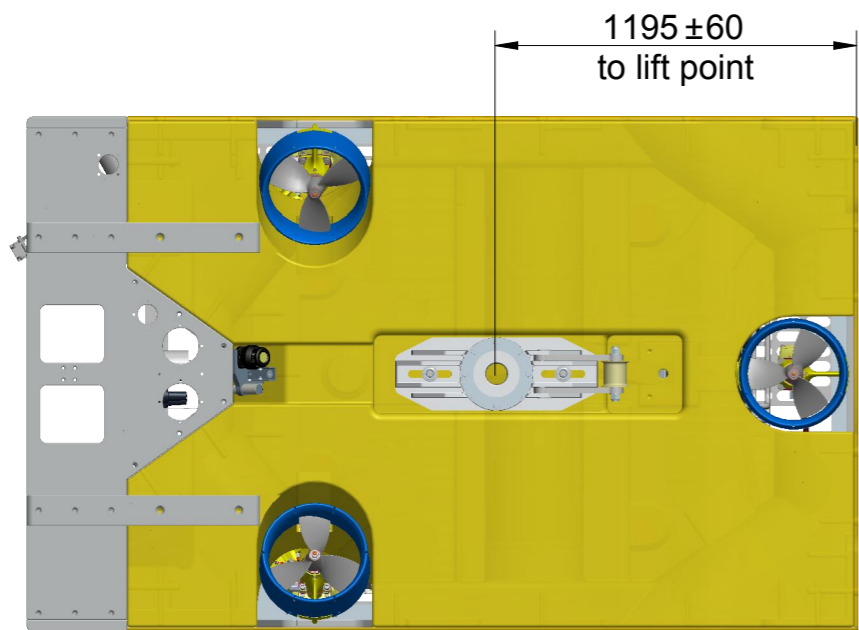
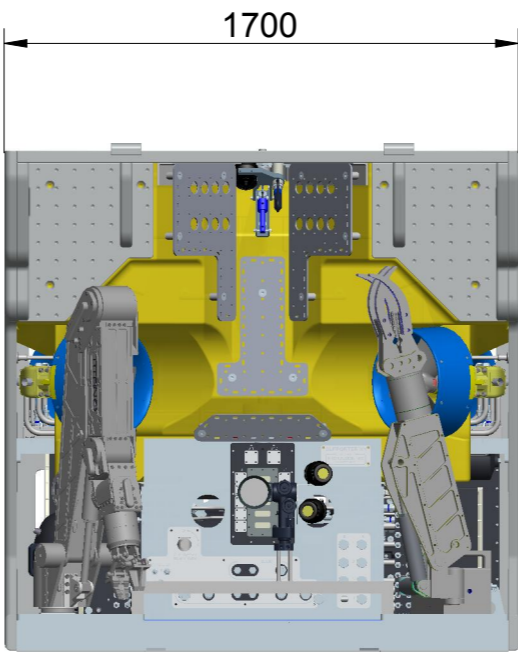
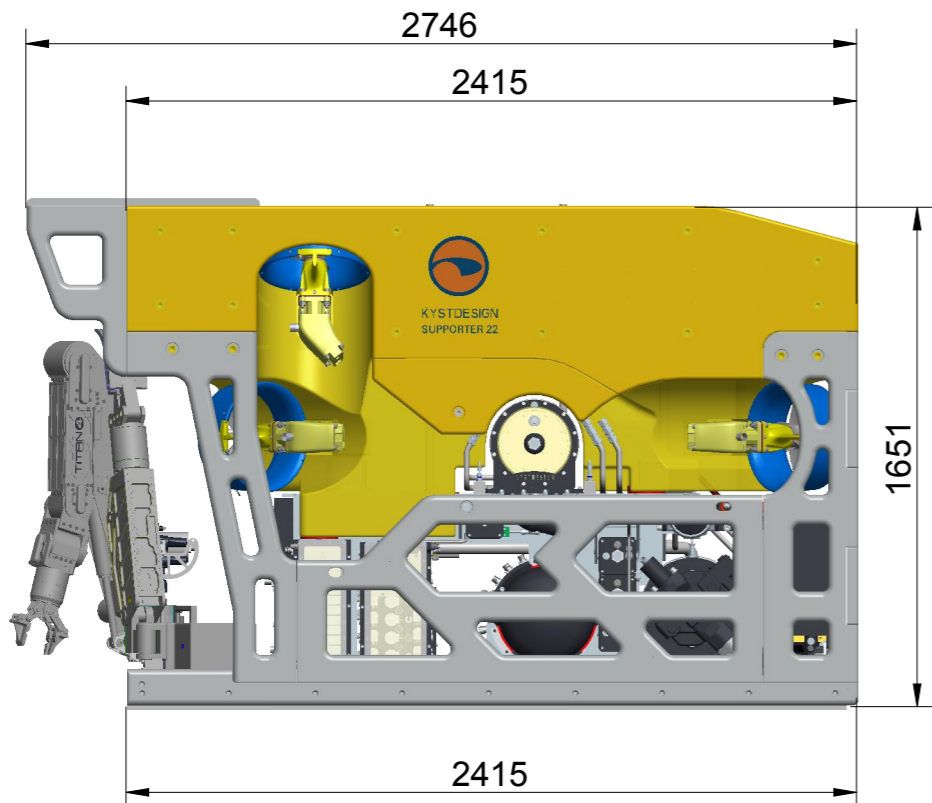
D

A

B

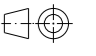
C

D



Itm.	Qty.	Description	Drg. / Spec.	Material	
02	22.08.14	Added skid to drawing	GOS	GVI EKB	
01	23.10.13	AS BUILT	AHO	EKB EKB	
Rev.	Date	Description	Prep	Chk	App

SUPPORTER Mk2

Drawing title SUPPORTER Mk2 Without Skid General Arrangement		 Size A3
KYSTDESIGN AS Strandgaten 202, 5525 Haugesund, NORWAY Tel: +47 52 70 62 50 Fax: +47 52 70 62 01 www.kystdesign.no	Scale 1:25 File name AD16-1100M01	Sheet 2 of 2

1

2

3

4

5

6