

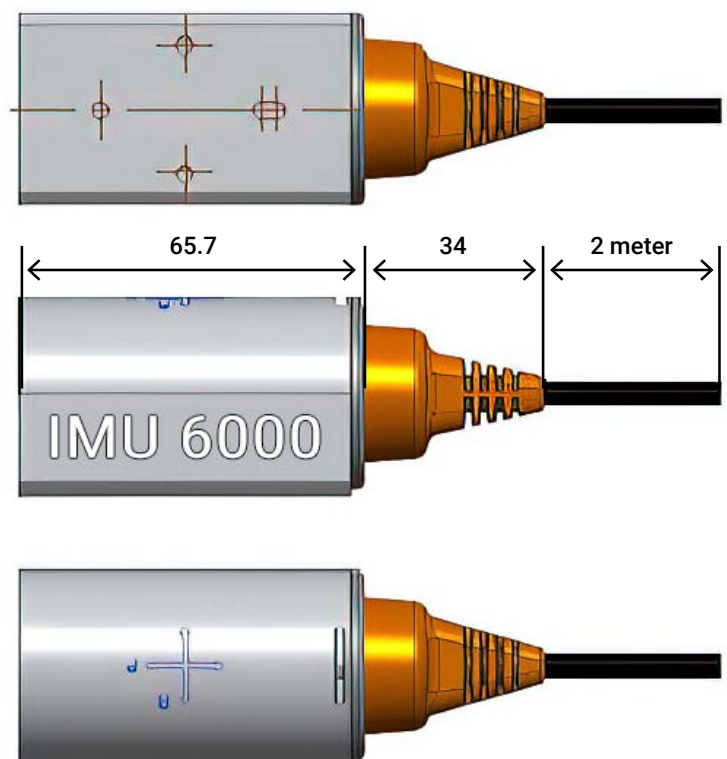
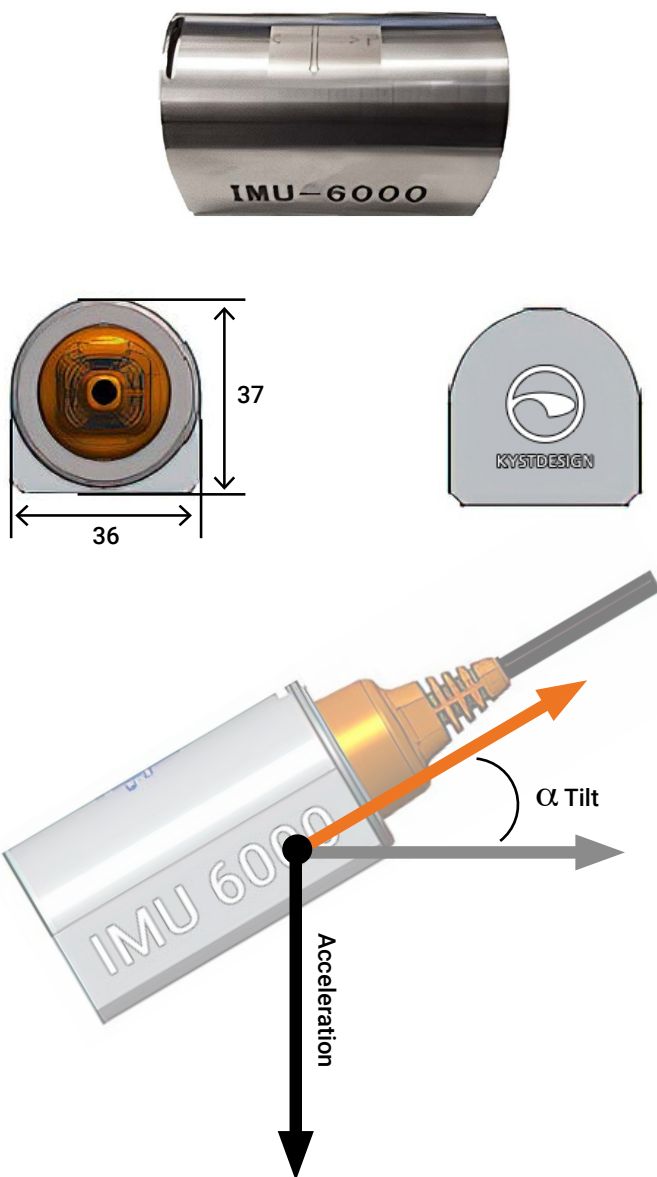
IMU SENSOR

Tilt and Acceleration along gravity axis

- Output#1: 4-20mA - tilt relative to gravity vector, range 0-180°
- Output#2: 4-20mA - acceleration along gravity axis, range 0-8G.
- Compact design: 68x36x37mm (lxbxh)
- Cable length: specified at order
- Connector: specified at order

SPECIFICATIONS:

Power & output	24Vdc, 4-20mA
Depthrating	6000 m



KYSTDESIGN AS

Eikeskogvegen 80 - 5570 Aksdal, Norway
post@kystdesign.no - Phone: +47 52 70 62 50

www.kystdesign.no