

ENCODER

Encoder for speed & direction sensing

CONNECTOR:

- Seacon 55 series, Shellsize 15, 4 Pin

PIN-OUT:

- **PIN1:** 0V
- **PIN2:** 24VDC
- **PIN3:** Signal 4-20 mA
- **PIN4:** Signal 4-20 mA

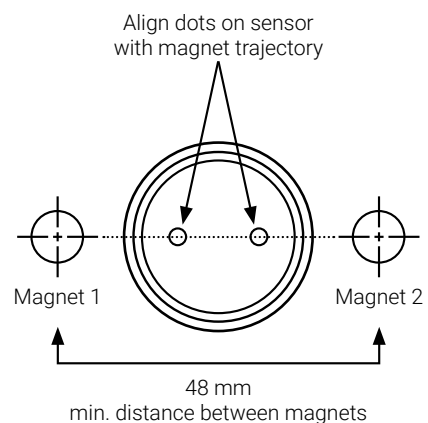
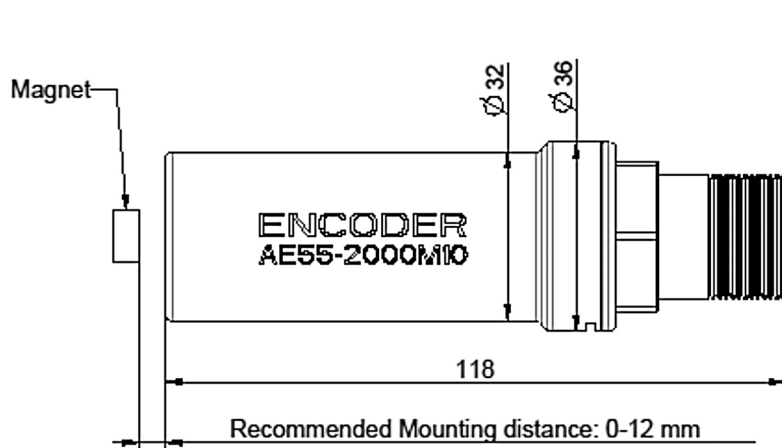
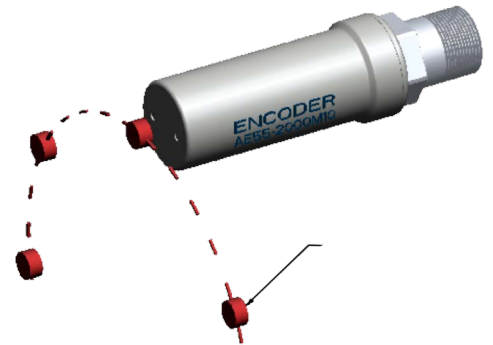
WEIGHT:

- 0.4 kg

All magnets to be oriented with south pole facing against sensor.

A standard compass can be used to decide polarity of a magnet.

Compass north will always point against the magnets south pole.



KYSTDESIGN AS

Eikeskogvegen 80 - 5570 Akسدal, Norway
post@kystdesign.no - Phone: +47 52 70 62 50

www.kystdesign.no