

# KPT-20 PAN & TILT UNIT

Small and powerful unit for WROVs down to 6000m water depth



## KPT-20

Dual axis - External compensator

## KEY FEATURES

- Compact dual axis unit
- Rugged construction and mounting holes
- High torque – heavy payloads can be added
- RS-232, RS-485 (2 wire)
- Absolute position sensor
- $\pm 0.1$  deg accuracy
- 24 to 48 VDC input voltage range
- No rotating connector at unit
- External compensator interface
- 6,000 Meter (20,000 ft)

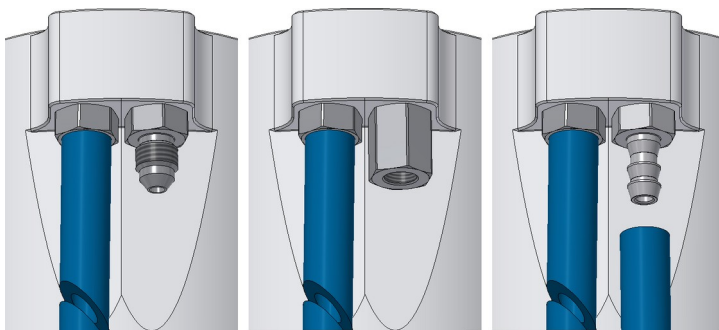
Our unit is designed for continuous hard use on Work Class ROVs.

Equipped with absolute position sensors there is no need to find end-stops at start-up.

Withstands heavy payloads without compromising with absolute accuracy.

To be connected to an external compensator.

### Available compensator interfaces:



Flared JIC 37°  
Fitting

1/8" BSPP Tread

PB4 hose

# KPT-20 SPECIFICATIONS

## Electrical:

Input Voltage	24-48 VDC
Drive Current	Up to 1.5 A each axis
Communication	RS-232, RS-485 (2 wire), up to 115200 Baud rate
Connector	Customer selectable (Seacon 5 pin standard)

## Mechanical:

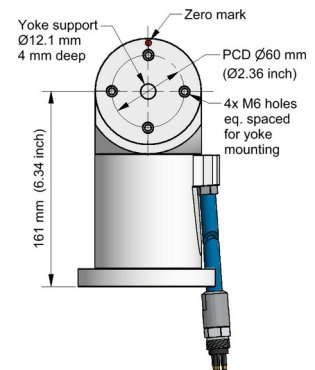
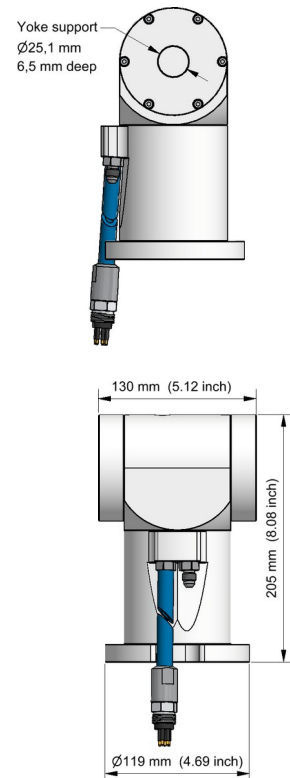
Angular Limits	Pan range: $\pm 175^\circ$ Tilt range: $\pm 175^\circ$ (depending on yoke)
Angular Speed	0.5 to 40 deg/sec (Pan and Tilt simultaneously)
Torque @ 24VDC	20 Nm (14.7 lb/ft) holding torque torque performance at 48VDC even better
Max Payload **	50 kg (110 lbs)
Position Feedback	12 bit accuracy absolute, approx. $\pm 0.1^\circ$
Gears	Precision strain wave
Backlash	< 3 arc minutes (< $0.05^\circ$ )
Compensator	External

## Environmental:

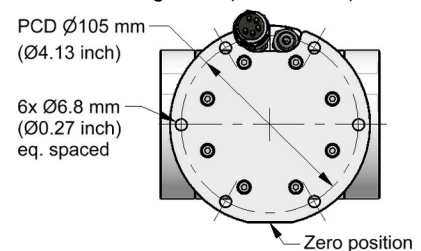
Operating Depth	Down to 6,000 m (20,000 ft)
Temperature Range	-20°C to +50°C (-4°F to +122°F) operating -30°C to +60°C (-22°F to +140°F) storage

## Others:

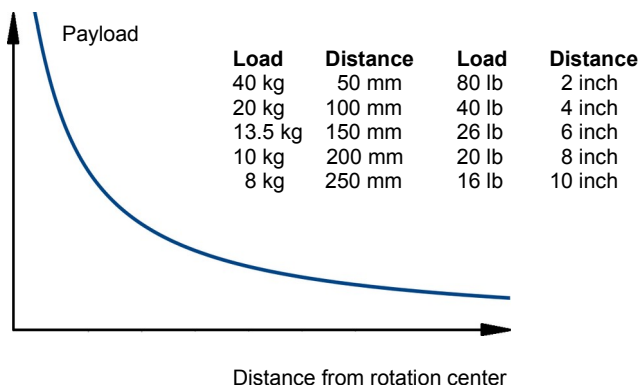
Size (H/W/D)	205 x 130 x 88 mm (Flange $\varnothing 119$ mm) 8.07 x 5.12 x 3.46 inch (Flange $\varnothing 4.68$ inch)
Materials	Hard anodized Aluminum (Titanium on request)
Weight in Air	4.6 kg (10.14 lbs) (Aluminum unit)
Weight in Water	3.2 kg (7.05 lbs) (Aluminum unit)



Mounting holes (bottom view):



\*\* ) Payload Torque diagram (in air)



## KYSTDESIGN AS

Eikeskogvegen 80 - 5570 Aksdal, Norway  
post@kystdesign.no - Phone: +47 52 70 62 50

www.kystdesign.no