

PAN & TILT UNITS

Powerful unit for WROVs down to 6000m water depth



KPT-45

Dual axis - External compensator



Our new KPA-20
20 Nm

KEY FEATURES

- Single or dual axis units
- Rugged construction and mounting holes
- High torque – heavy payloads can be added
- 90 or 120 Nm units (and new compact 20 Nm units)
- RS-232, RS-485 (2 wire) or 100 Mbps Ethernet
- Absolute position sensor
- ± 0.1 deg accuracy; ± 0.01 deg on request
- 24 to 48 VDC input voltage range
- No rotating connector at unit
- External or internal compensator
- 6,000 Meter (20,000 ft)



KPT-45-Titanium

Dual axis - External compensator



KYSTDESIGN
SUB - SEA TECHNOLOGY

KPT-45 SPECIFICATIONS

Electrical:

Input Voltage	24 - 48 VDC
Drive Current	Up to 2.5 A each axis
Communication	RS-232, RS-485 (2 wire) or 100 Mbps Ethernet (down to 1000m, 3000 ft)
Connector	Customer selectable (Seacon 5 pin standard)

Mechanical:

Angular Limits	Pan range: $\pm 175^\circ$ Tilt range: $\pm 175^\circ$ (depending on yoke)
Angular Speed	Up to 30 deg/sec (Pan and Tilt simultaneously)
Torque @ 24VDC performance at 48VDC even better	90 Nm holding torque *) - 75 Nm (55 lb/ft) < 8 deg/sec - 60 Nm (44 lb/ft) < 15 deg/sec - 45 Nm (33 lb/ft) up to 20 deg/sec
Max Payload	100 kg (220 lbs)
Position Feedback	12 bit accuracy absolute, approx. $\pm 0.1^\circ$ 15 bit $\pm 0.01^\circ$ on request
Gears	Precision strain wave
Backlash	< 3 arc minutes (< 0.05°)
Compensator	External or Internal oil filled diaphragm

Environmental:

Operating Depth	Down to 6,000 m (20,000 ft)
Temperature Range	-20°C to +50°C (-4°F to +122°F) operating -30°C to +60°C (-22°F to +140°F) storage

Others:

Size (H/W/D)	260 x 160 x 114 mm (Flange $\varnothing 147$ mm) 10.24 x 6.3 x 4.49 inch (Flange $\varnothing 5.79$ inch)
Materials	Hard anodized Aluminum Titanium
Weight in Air	8.8 kg (19.46 lbs) (Aluminum unit)
Weight in Water	5.4 kg (11.9 lbs) (Aluminum unit)

*) 120 Nm unit available with different gear ratio

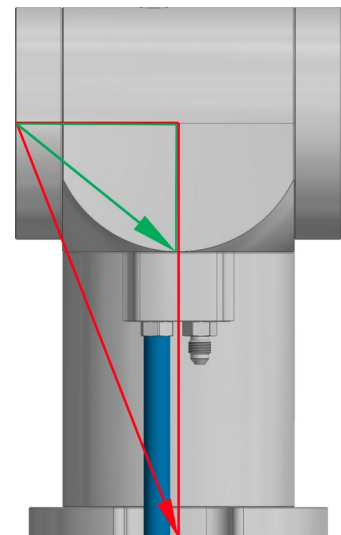
Our customers:

- DeepOcean
- Swire Seabed
- Ocean Infinity
- University of Bergen, Norway
- Reach Subsea
- REV Ocean
- Oceaneering
- Norbit Subsea
- Abyss Aqua
- Kongsberg Maritime
- OceanPact

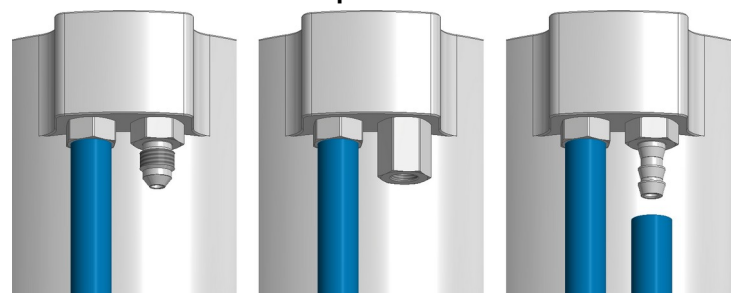
See also our wide range of hydraulic compensators.



Our unique design is more robust compared to traditional units. Shorter lever arm is important.



Available compensator interfaces:



Flared JIC 37°
Fitting

1/8" BSP Tread

PB4 hose

KYSTDESIGN AS

Eikeskogvegen 80 - 5570 Aksdal, Norway
post@kystdesign.no - Phone: +47 52 70 62 50

www.kystdesign.no



KYSTDESIGN
SUB - SEA TECHNOLOGY