

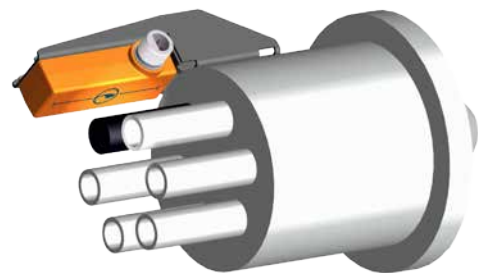
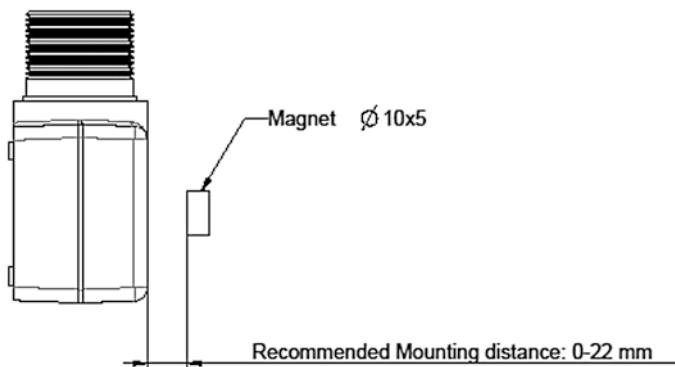
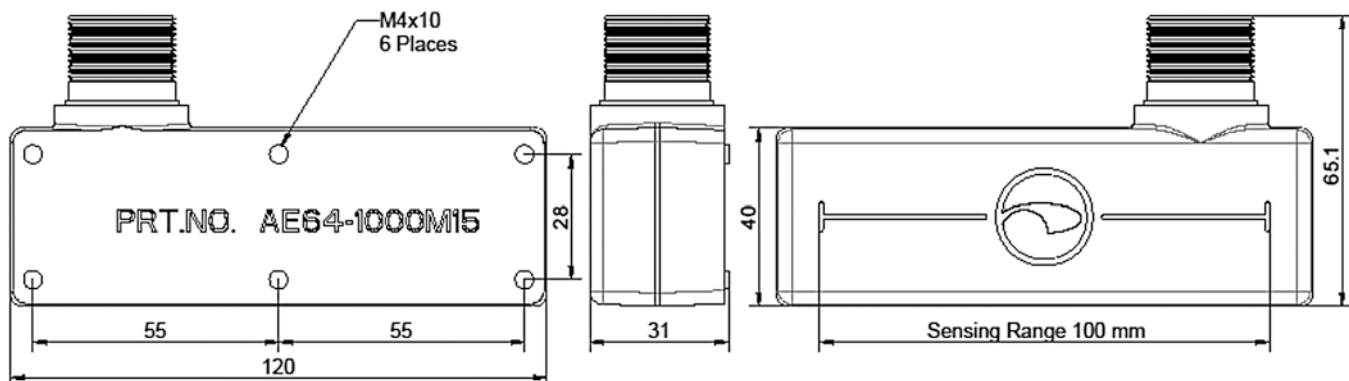
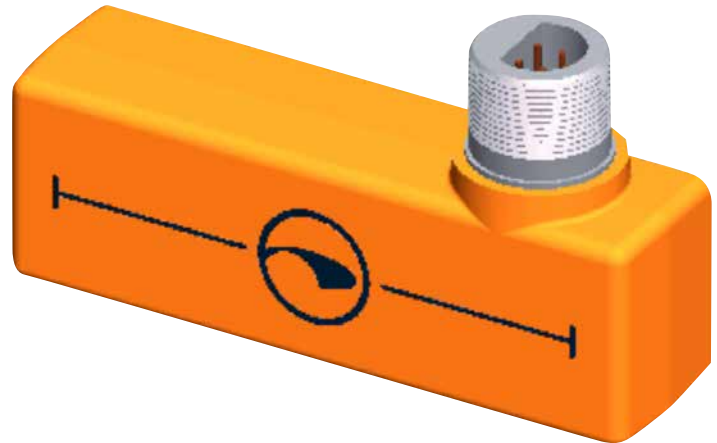
MAGNET POSITION TRANSDUCER

CONNECTOR:

- Seacon 55 series, Shellsize 15, 4 Pin

PIN-OUT:

- **PIN1:** 0V
- **PIN2:** 24VDC
- **PIN3:**
- **PIN4:** Signal 4-20 mA
(output signal will be 2-10V if an interconnection between pin 3 and 4 is made)



Available as kit for Perry compensator.

KYSTDESIGN AS

Eikeskogvegen 80 - 5570 Aksdal, Norway
post@kystdesign.no - Phone: +47 52.70 62 50

www.kystdesign.no