

1

2

3

4

5

6

A

B

C

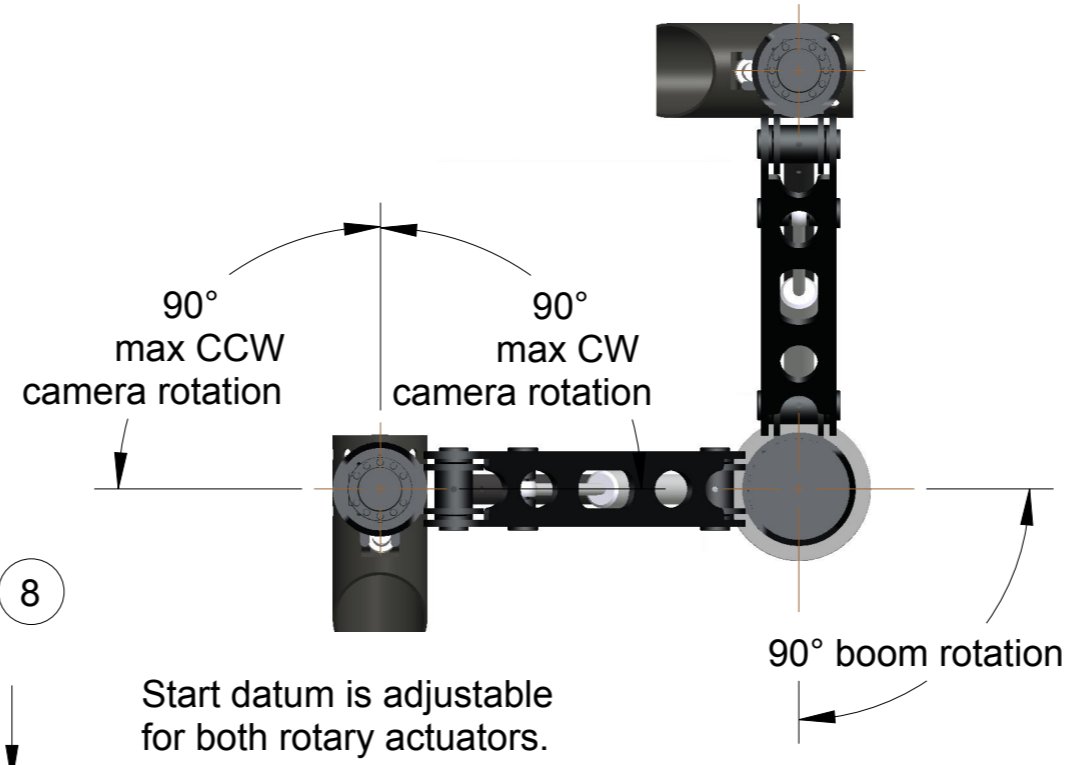
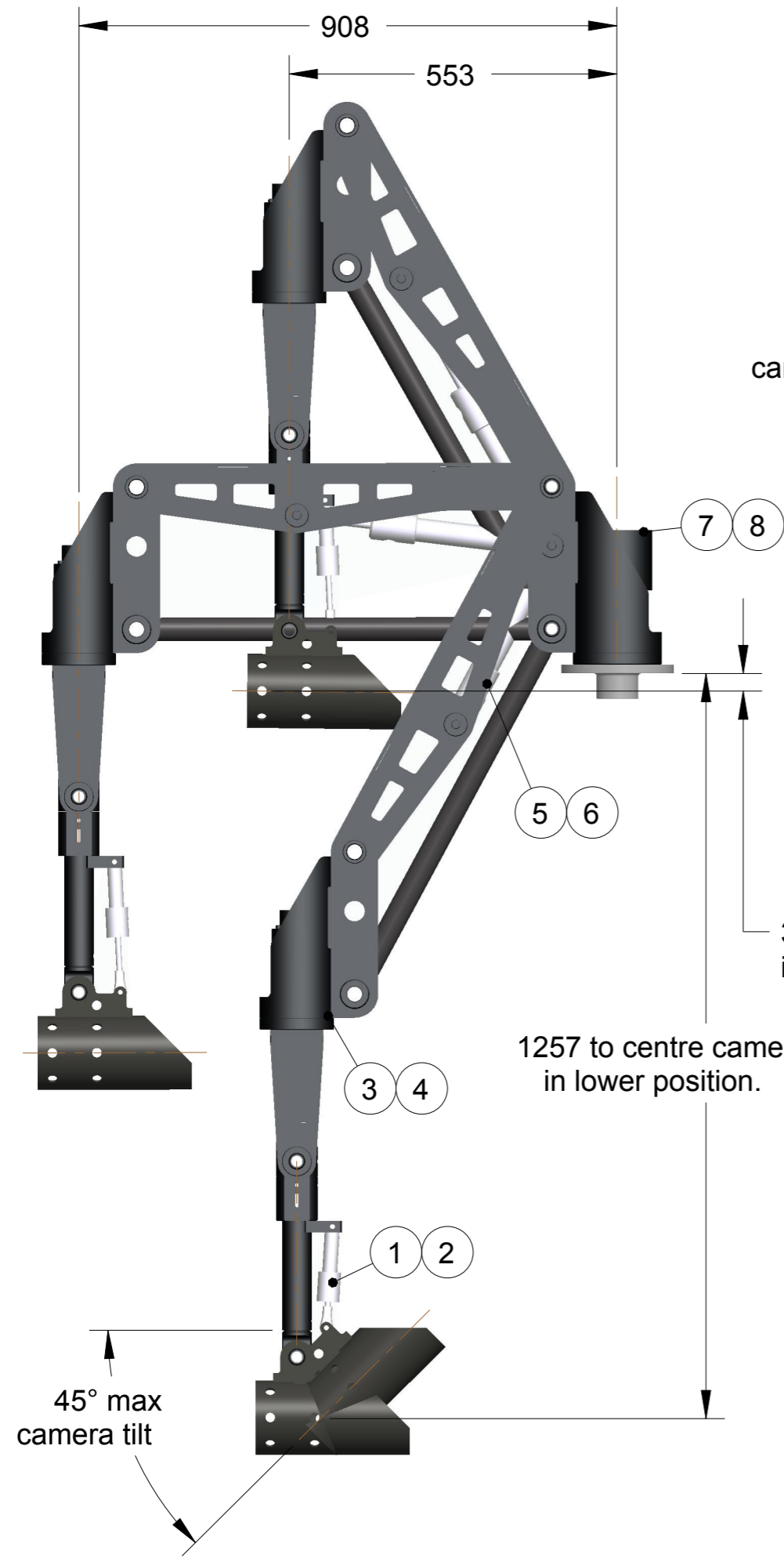
D

A

B

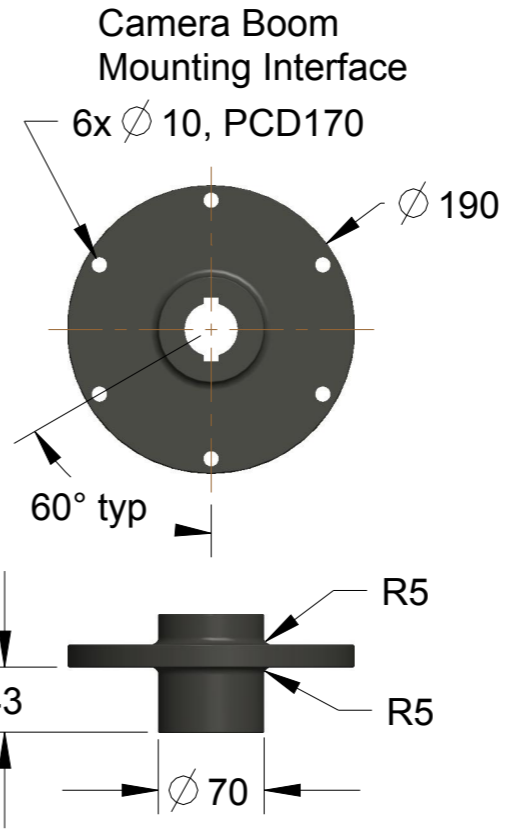
C

D



30 to centre camera in upper position.

1257 to centre camera in lower position.



**HYDRAULIC HOSES:**  
(Ref. balloons on drawing)

- 1. Camera DOWN (4,4m)
- 2. Camera UP (4,3m)
- 3. Camera CW (3,8m)
- 4. Camera CCW (3,8m)
- 5. Boom UP (3,1m)
- 6. Boom DOWN (3,1m)
- 7. Boom CW (2,5m)
- 8. Boom CCW (2,5m)

Itm.	Qty.	Description	Drg. / Spec.	Material
04	02.12.14	ISSUED FOR INFORMATION	AHO	EKB EKB
Rev.	Date	Description	Prep	Chk App



Drawing title <b>CAMERA BOOM Main Assembly</b>		Size <b>A3</b>
KYSTDESIGN AS Strandgaten 202, 5525 Haugesund, NORWAY Tel: +47 52 70 62 50 Fax: +47 52 70 62 01 www.kystdesign.no	Scale <b>0.030</b>	Sheet <b>2</b>
	File name <b>AA93-DR001</b>	of <b>2</b>

1

2

3

4

5

6