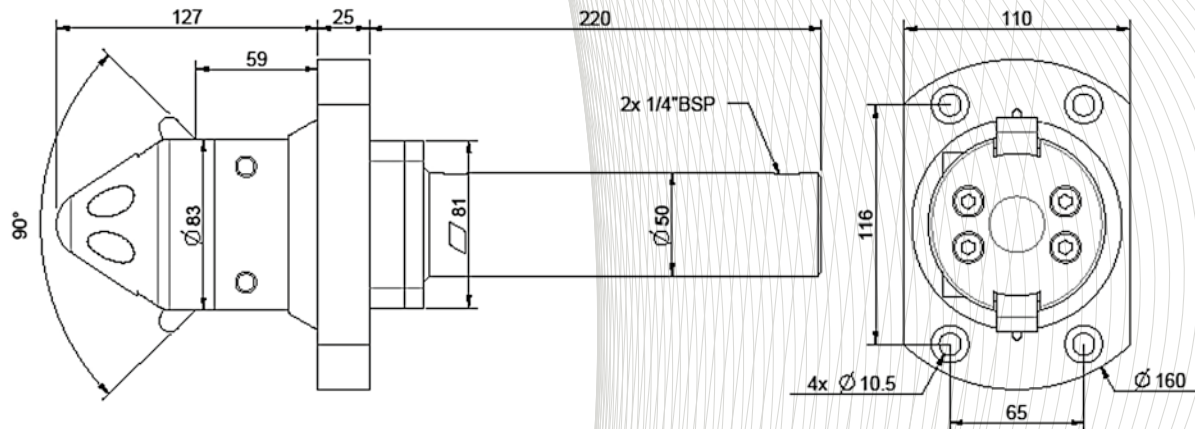
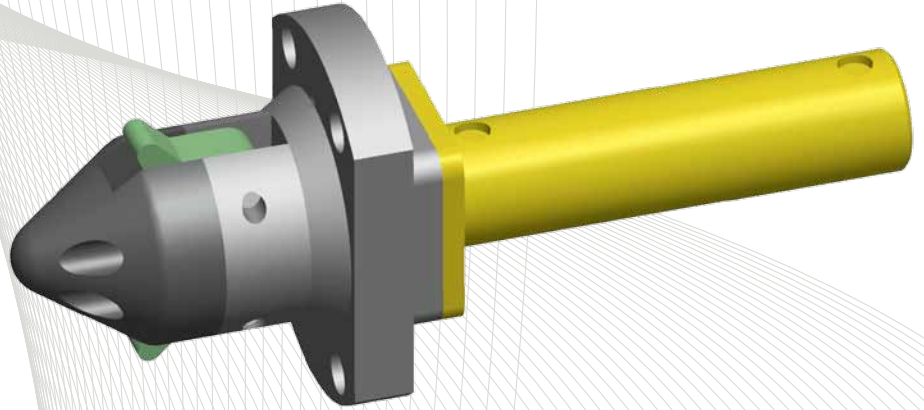


# Hydraulic Docking Probe and Stab Plates

## Docking Probe

### SPECIFICATION:

- Fail safe spring release
- Axial Pull Force 3Te
- Max operational pressure 200bar
- Hydraulic connection 1/4" BSP
- Weight 7,6kg



## Stab Plates to Customer specification

